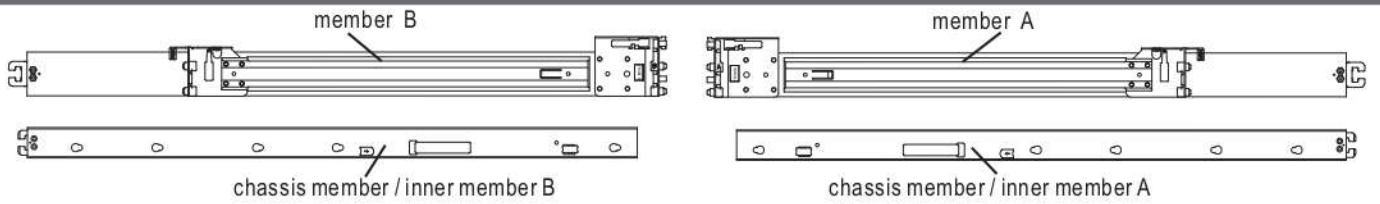


Rail Kit Installation Guide

Kit Contents / Component Identification



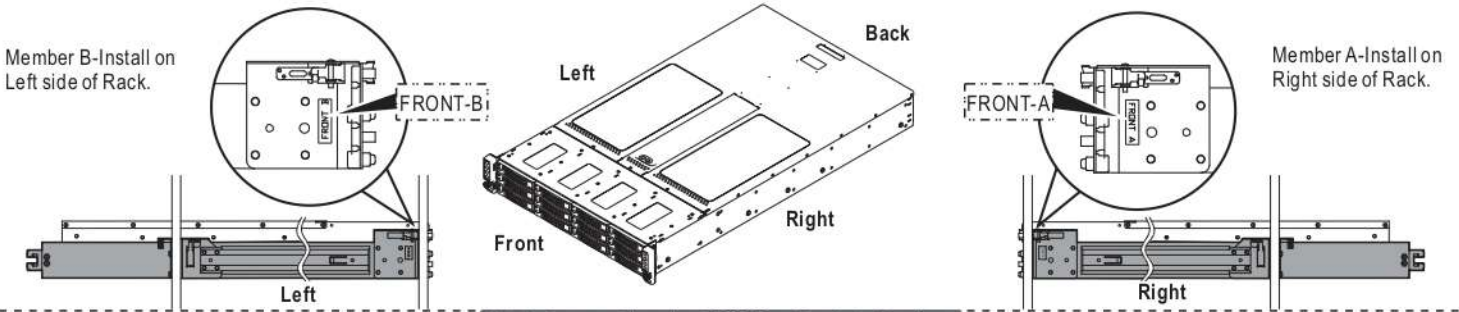
Caution: The maximum supported system weight for this rail kit is 45 kg (99.2 lbs). Exceeding the rail kit's specified maximum weight limit or misalignment of the server in the rack may result in failure of the rack rails, resulting in damage to the system or personal injury. Two people or the use of a mechanical assist tool to install and align the server into the rack is highly recommended.

Rail Assembly Identification and Orientation

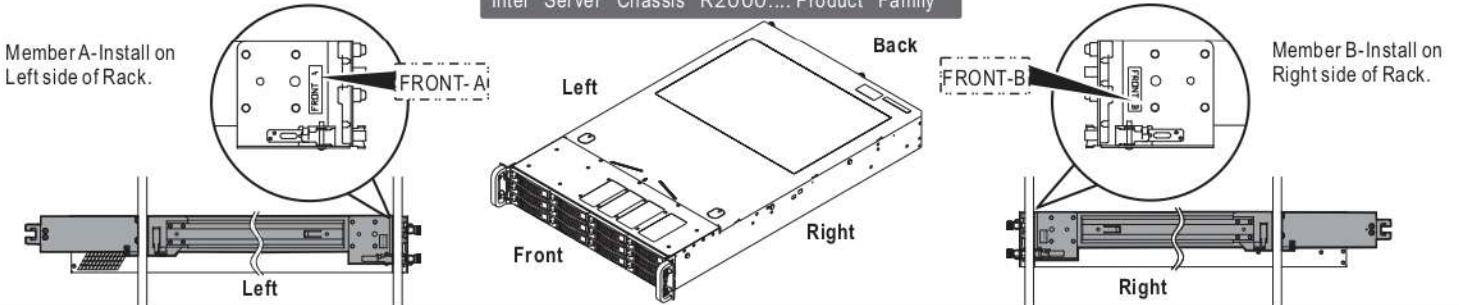
Read as follows:

Prior to rail installation, identify each rail assembly FRONT A and FRONT B, then determine the chassis type and correct rail orientation (as shown below).

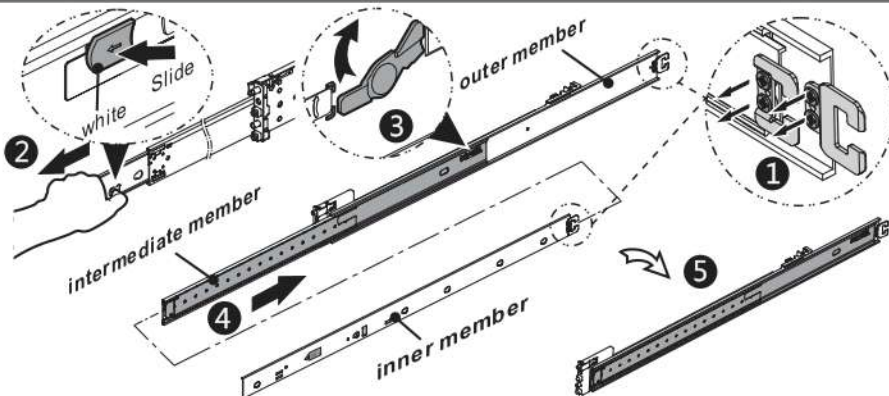
Intel Server Chassis H2000.... Product Family



Intel Server Chassis R2000.... Product Family

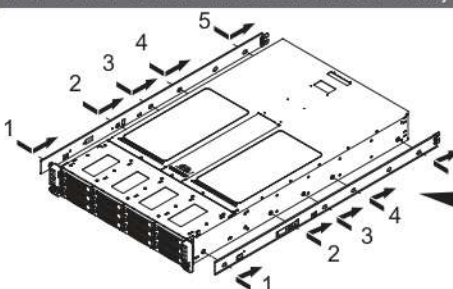


Server System Installation

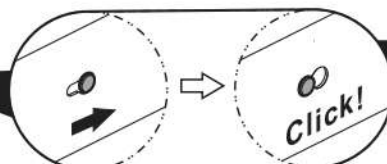


- (1) Depending on the rail kit being used, the rail assemblies may include cable management arm (CMA) mounting brackets located on the back edge of the inner and outer rail members. These brackets can be removed if no CMA is to be installed.
- (2) Remove the inner rail member of both rail assemblies as shown in figure #2. Then slide each intermediate rail member back into the rail assembly.

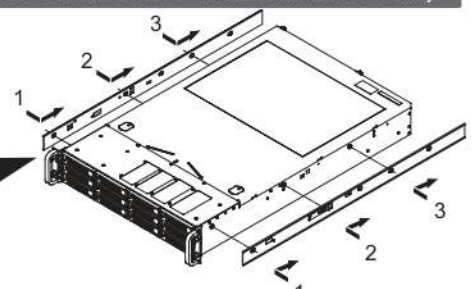
Intel Server Chassis H2000.... Product Family



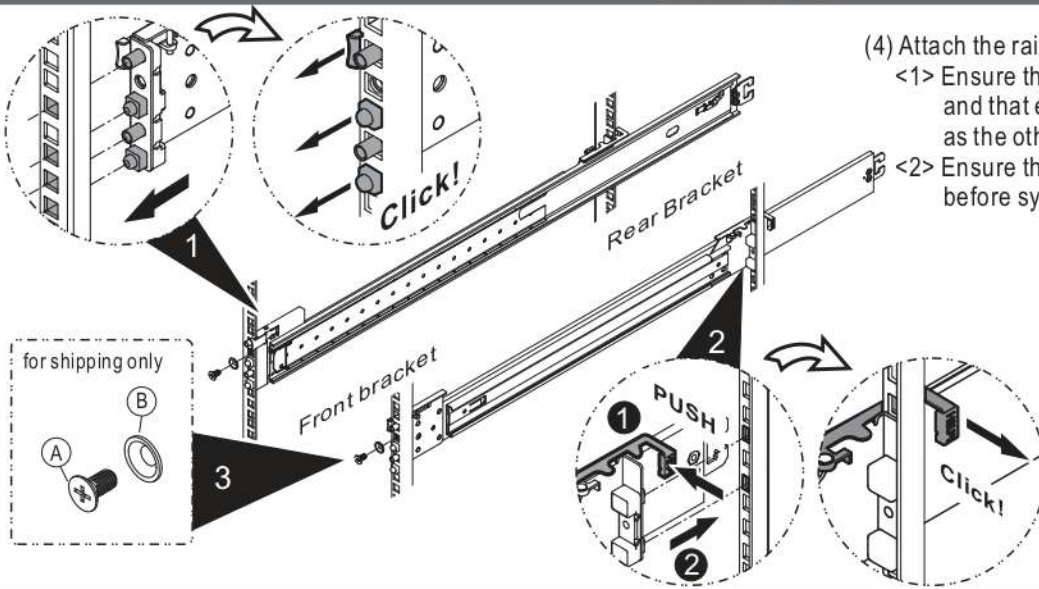
(3) Attach the inner rail members to the system



Intel Server Chassis R2000.... Product Family

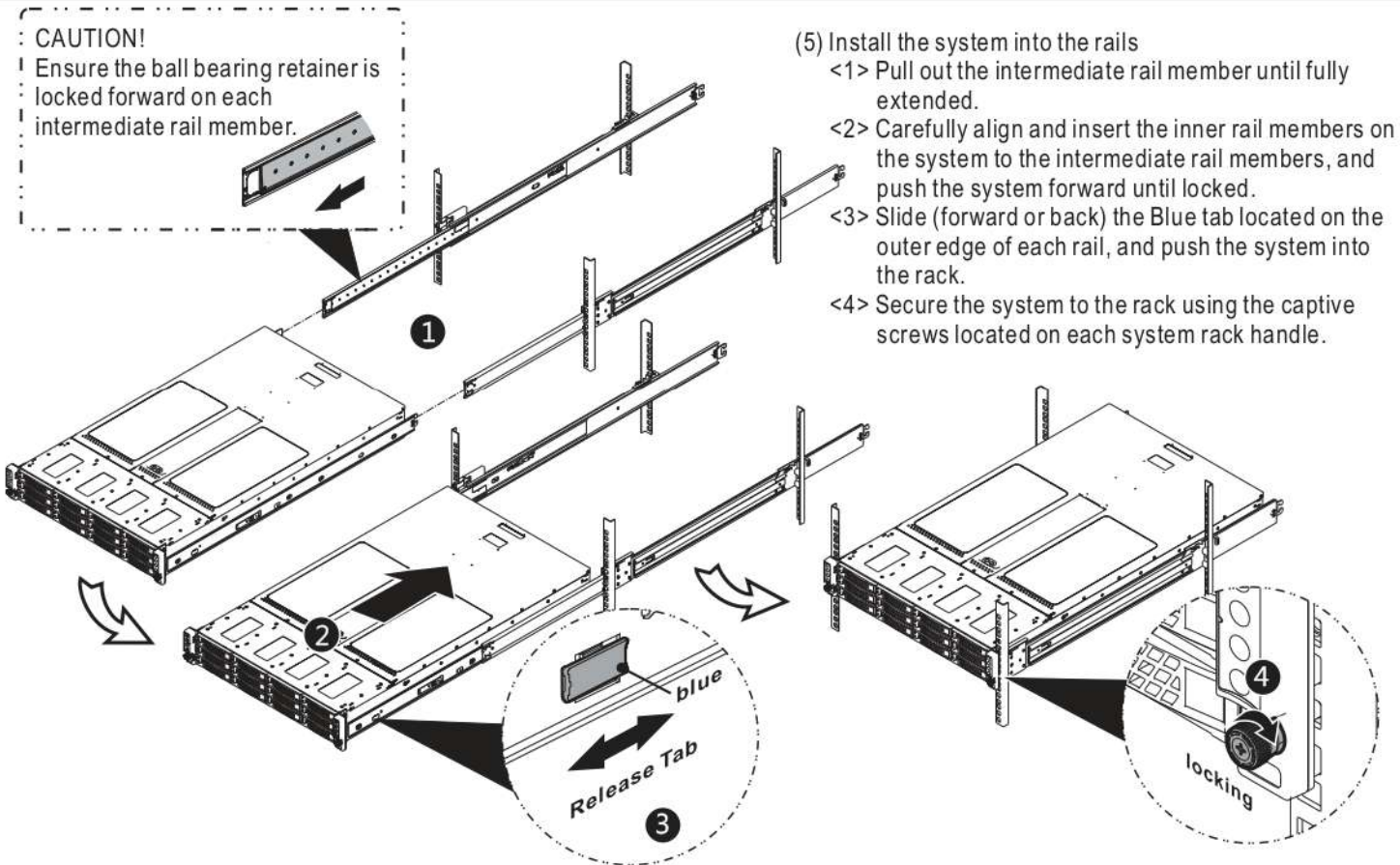


Rail Installation



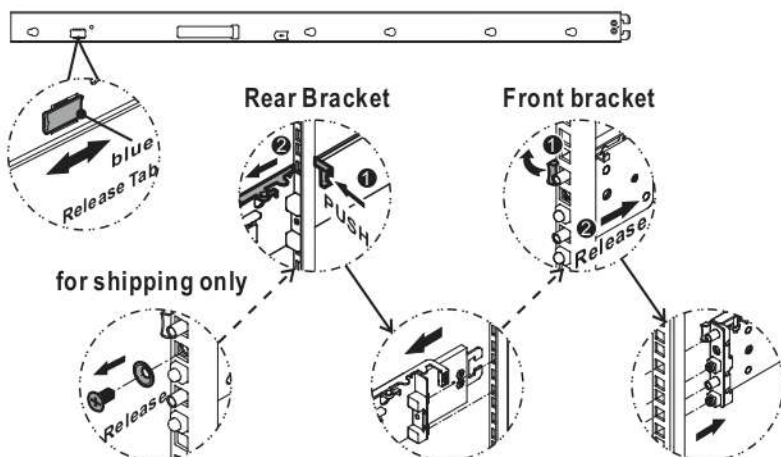
- (4) Attach the rail assemblies to the rack frame
- <1> Ensure that each rail assembly is installed level, and that each rail assembly is at the same height as the other.
 - <2> Ensure that each rail is locked to the rack frame before system installation.

Install System into Rack



- (5) Install the system into the rails
- <1> Pull out the intermediate rail member until fully extended.
 - <2> Carefully align and insert the inner rail members on the system to the intermediate rail members, and push the system forward until locked.
 - <3> Slide (forward or back) the Blue tab located on the outer edge of each rail, and push the system into the rack.
 - <4> Secure the system to the rack using the captive screws located on each system rack handle.

Removing System from Rails



- (1) If the system is secured in the rack, loosen the system handle screws and shipping screw (if present).
- (2) Fully extend the system from the rack.
- (3) Slide (forward or back) the Blue tab located on the outer edge of each rail and pull out the system from rack.

Rail Removal:

- (1) Remove server system from rails.
- (2) Push the latch on rear bracket outwards and pull out the bracket from rack pillar.
- (3) Push the hook on front bracket outwards and pull out the bracket from rack pillar while holding rails.